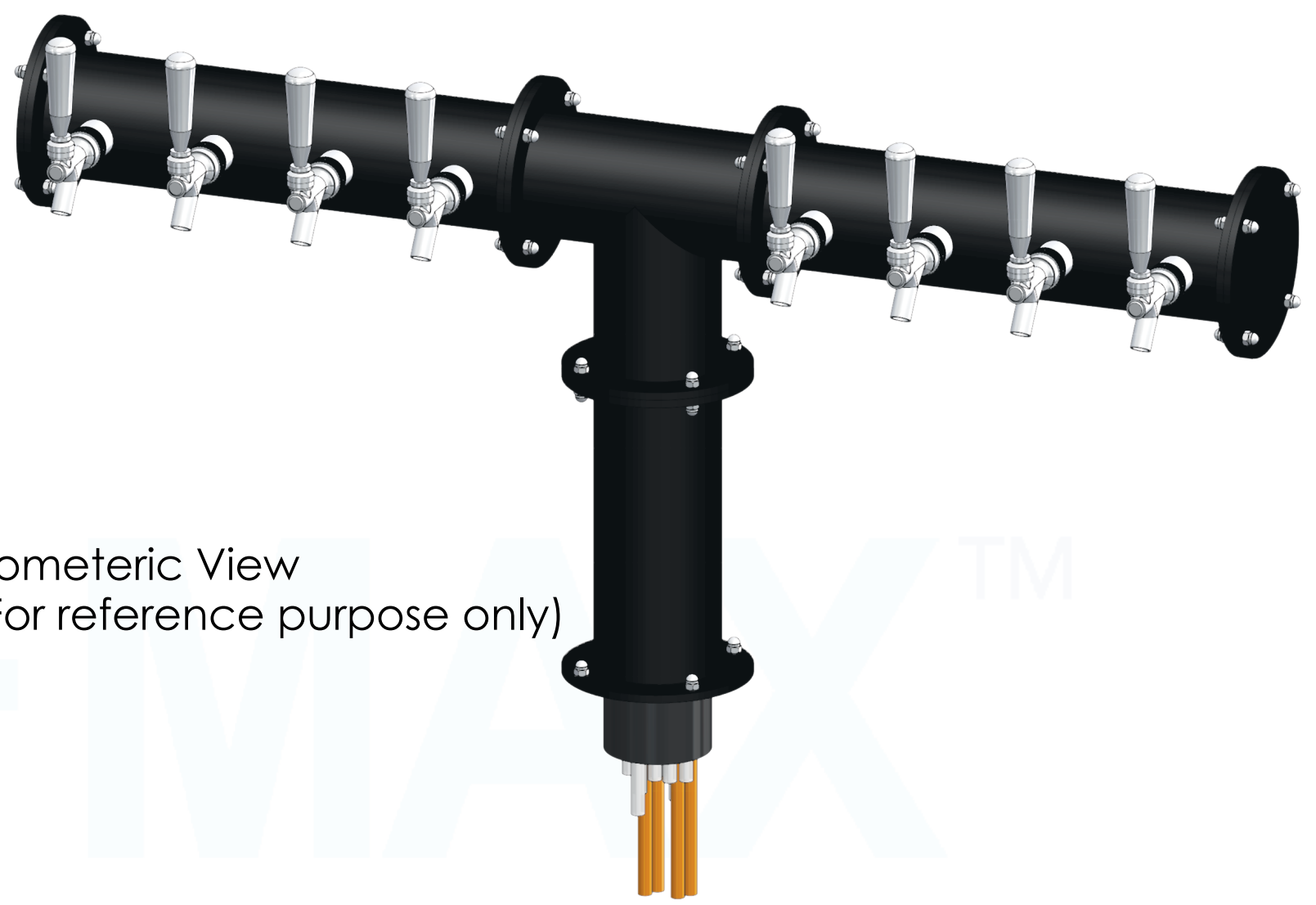
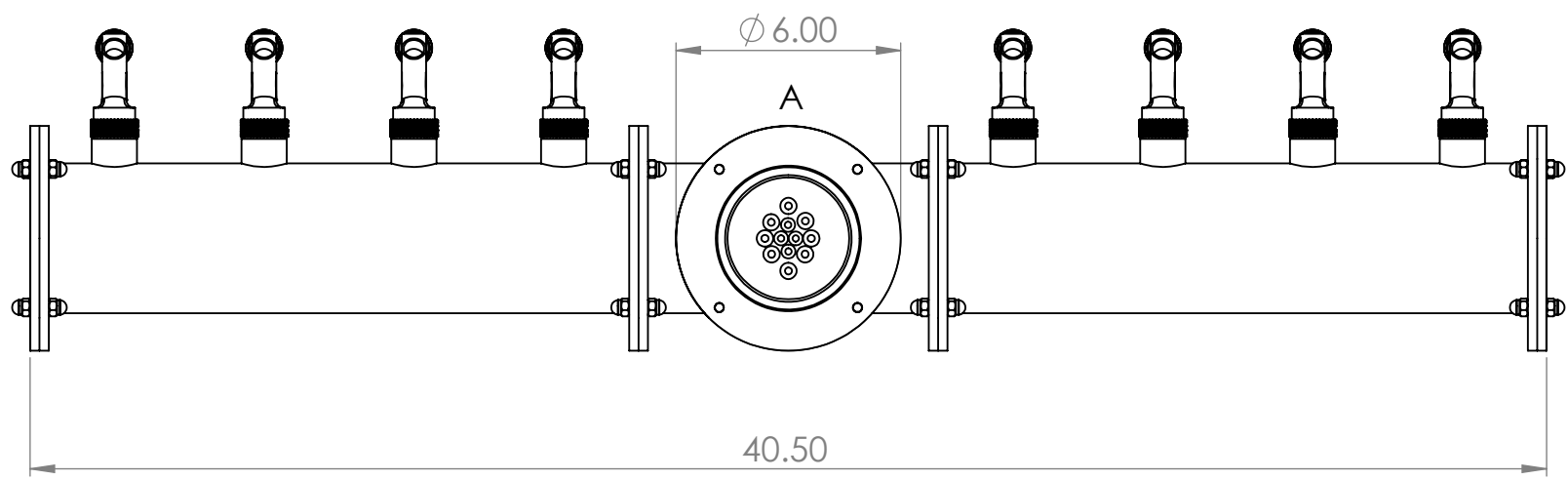
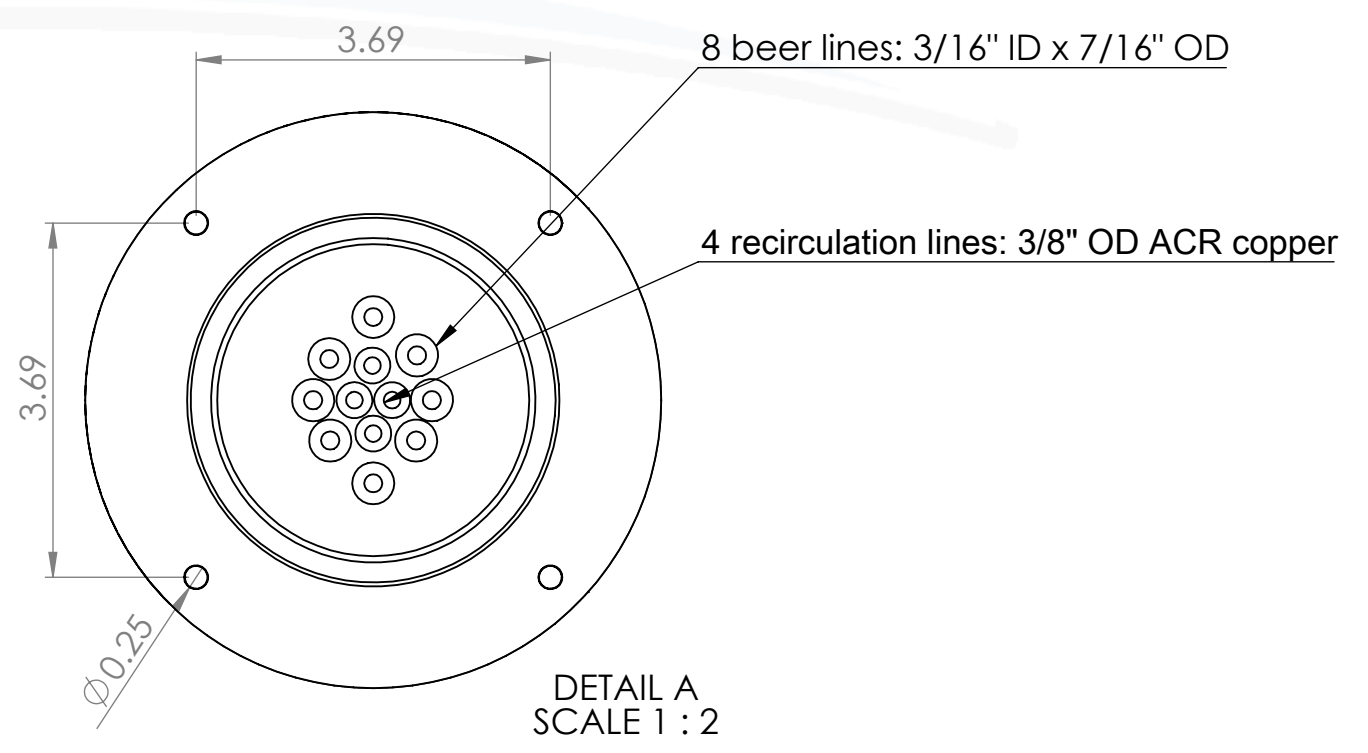


304SS tube connected to CBS NSF Flexible Total Barrier Tubing to 15lbs of Restriction



Isometric View
(For reference purpose only)



Suggested Drip Tray:
BB701339 - 39" x 7" BSS Drip Tray
BB702439 - 39" x 7" BSS Spray Drip Tray



Name		Date		Title:		
Drawn By:	Chillmax Beverages Solutions ,LLC	11/21/2024		8T(4"OC) MATTE BLACK CONDOR "T" CH-MX CLD		
Approved By:	Production Manager			Part Number:	Revision:	
Material:	304 SS	Finish:	MATTE BLACK	BB102610-MB-08GC		
Unless otherwise mentioned, dimensions are inches.					Scale:	1:5